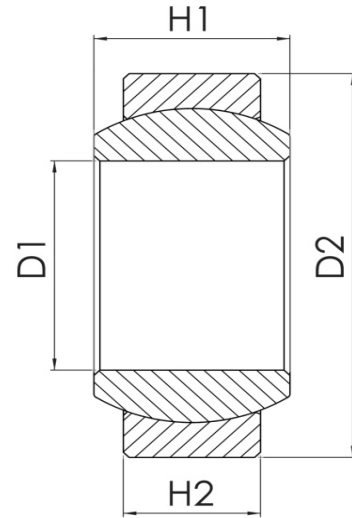


D1	D2	H1	H2	MATERIALI
3	12	6	4,5	STEEL + BRONZ + STEEL
4	12	5	3	STEEL + PTFE + STEEL
4	12	7	5,25	STEEL + PTFE + STEEL
4	14	7	5,25	STEEL + BRONZ + STEEL
5	13	8	6	STEEL + PTFE + STEEL
5	14	6	4	STEEL + PTFE + STEEL
5	16	8	6	STEEL + BRONZ + STEEL
6	14	6	4	STEEL + PTFE + STEEL
6	15	9	6,75	STEEL + PTFE + STEEL
6	16	9	5	STEEL + PTFE + STEEL
6	16	9	6,75	STEEL + PTFE + STEEL
6	18	9	6,75	STEEL + BRONZ + STEEL
6	20	9	6,75	SELF-ROLLER
8	16	8	5	STEEL + PTFE + STEEL
8	18	12	9	STEEL + PTFE + STEEL
8	19	11	6	STEEL + PTFE + STEEL
8	19	12	9	STEEL + PTFE + STEEL
8	22	12	9	STEEL + BRONZ + STEEL
8	24	12	9	SELF-ROLLER
10	19	8	6	STEEL + PTFE + STEEL
10	21	14	10,5	STEEL + PTFE + STEEL
10	22	12	7	STEEL + PTFE + STEEL
10	22	14	10,5	STEEL + PTFE + STEEL
10	24	14,5	13	STEEL + PTFE + STEEL
10	26	14	10,5	STEEL + BRONZ + STEEL
10	26	14,5	13	STEEL + PTFE + STEEL
10	26	20	13	STEEL + PTFE + STEEL
10	26	22	13	STEEL + PTFE + STEEL
10	28	14	10,5	SELF-ROLLER
12	22	10	7	STEEL + PTFE + STEEL
12	22	11	9	STEEL + STEEL
12	22	12	10,5	STEEL + PTFE + STEEL
12	24,5	16	12	STEEL + PTFE + STEEL
12	26	15	9	STEEL + PTFE + STEEL
12	26	15	13	STEEL + PTFE + STEEL
12	26	16	12	STEEL + PTFE + STEEL
12	30	16	12	STEEL + BRONZ + STEEL
12	32	16	12	SELF-ROLLER
14	26	14	13	STEEL + PTFE + STEEL
14	26	15	13	STEEL + PTFE + STEEL
14	27,5	17	16	STEEL + PTFE + STEEL
14	28	19	13,5	STEEL + PTFE + STEEL
14	29	19	13,5	STEEL + PTFE + STEEL
14	34	19	13,5	STEEL + BRONZ + STEEL
14	36	19	13,5	SELF-ROLLER
15	25	13	12	STEEL + PTFE + STEEL
15	26	12	9	STEEL + PTFE + STEEL
15	26	13	11	STEEL + STEEL
15	26	14	12	STEEL + PTFE + STEEL
15	30	16	10	STEEL + PTFE + STEEL
16	28	16	9	STEEL + STEEL
16	30	14	10	STEEL + STEEL
16	31,5	21	15	STEEL + PTFE + STEEL
16	32	21	15	STEEL + PTFE + STEEL
16	38	21	15	SELF-ROLLER
17	30	14	10	STEEL + PTFE + STEEL
17	30	21	10	STEEL + STEEL
17	35	20	12	STEEL + PTFE + STEEL
18	34,5	23	16,5	STEEL + PTFE + STEEL
18	35	23	16,5	STEEL + BRONZ + STEEL
20	32	16	14	STEEL + STEEL
20	35	16	12	STEEL + PTFE + STEEL
20	35	24	12	STEEL + STEEL
20	38	25	18	STEEL + PTFE + STEEL
20	40	25	18	STEEL + BRONZ + STEEL

**SNODO SFERICO STANDARD
COMBINAZIONE MATERIALI:**

- ACCIAIO + ACCIAIO
- ACCIAIO + PTFE + ACCIAIO
- ACCIAIO + BRONZO + ACCIAIO



**SNODO SFERICO CON
CUSCINETTO INTEGRATO
(SELF-ROLLER)**

