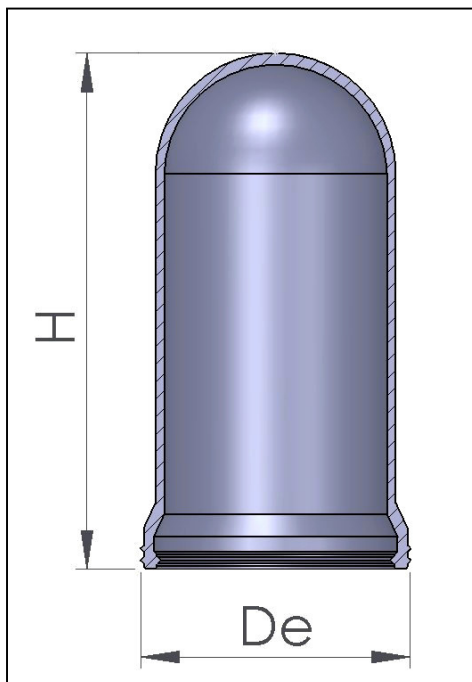
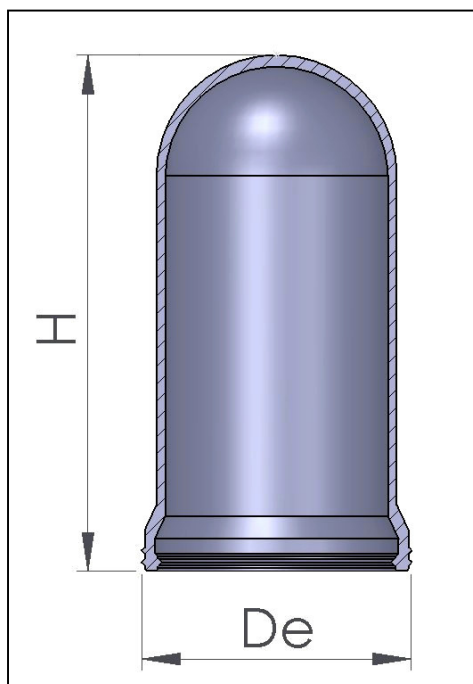


Membrane per ammortizzatori
Bladders for shock absorbers


APPLICAZIONE / Application	De	H
SHOWA (genuine)	34.50	65.00
SHOWA (genuine)	34.50	72.00
KAYABA (genuine)	40.00	70.00
KAYABA (genuine)	40.00	88.00
SHOWA (genuine)	40.50	70.00
SHOWA (genuine)	40.50	80.00
SHOWA (genuine)	40.50	100.00
Tuning	42.00	120.00
YSS	43.00	70.00
REIGER	45.00	135.00
REIGER	45.00	145.00
SHOCK BODY TRIAL - SHOWA (genuine)	46.00	56.00
KAYABA (genuine)	46.00	65.00
HYPERPRO	46.00	65.00
Tuning	46.00	80.00
KAYABA (genuine)	46.00	88.00
KAYABA (genuine)	46.00	103.00
Tuning	46.00	105.00
KAYABA (genuine)	46.00	118.00

Membrane per ammortizzatori
Bladders for shock absorbers


APPLICAZIONE / Application	De	H
Tuning	46.00	138.00
SHOWA (genuine)	48.50	95.00
SHOWA (genuine) / SOLVA	48.50	105.00
SHOWA (genuine)	48.50	115.00
KAYABA (genuine)	50.00	73.00
KAYABA (genuine)	50.00	90.00
REIGER	50.00	145.00
Tuning	52.00	95.00
KAYABA (genuine)	52.00	104.00
Tuning	52.00	105.00
Tuning	52.00	120.00
SHOWA (genuine)	54.00	75.00
SHOWA (genuine)	54.00	88.00
KAYABA (genuine)	54.00	98.00
KAYABA (genuine)	54.00	104.00
KAYABA (genuine)	54.00	113.00
REIGER	55.00	145.00
SHOWA (genuine)	60.00	62.00
KAYABA (genuine)	64.00	62.00

